

## LXS-15FD Single jet Liquid Sealed Vane Wheel Water Meter



- Pipeline must be flushed before installation
- The meter should be constantly full of water during operation

### Application

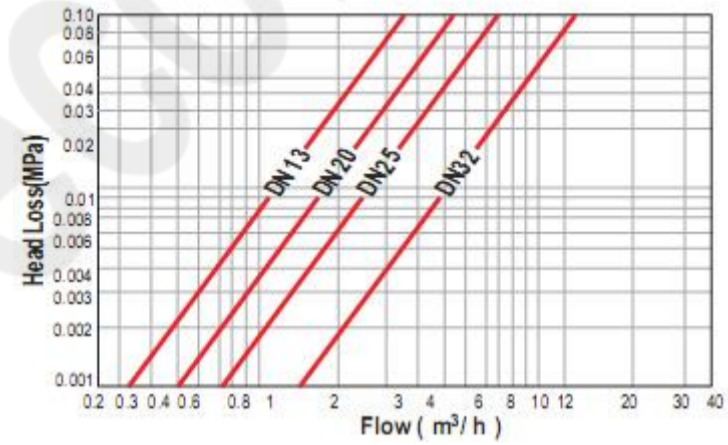
Measuring the volume of cold potable water passing through the pipeline

### Working Conditions

Water temperature:  $\leq 40\text{ }^{\circ}\text{C}$

Water pressure:  $\leq 1.6\text{ MPa}$

### Head Loss Curve



### Features

- The register is contained in a liquid filled sealed housing which is not subject to discoloration by scale dirt or any deposit
- Wet dial
- Mechanical transmission movement equates to maximum reliability
- Inlet strainer
- Particularly suited in lower quality water

### Compliance with Standard

Technical data conforms to ISO 4064 Class B standard for horizontal installation

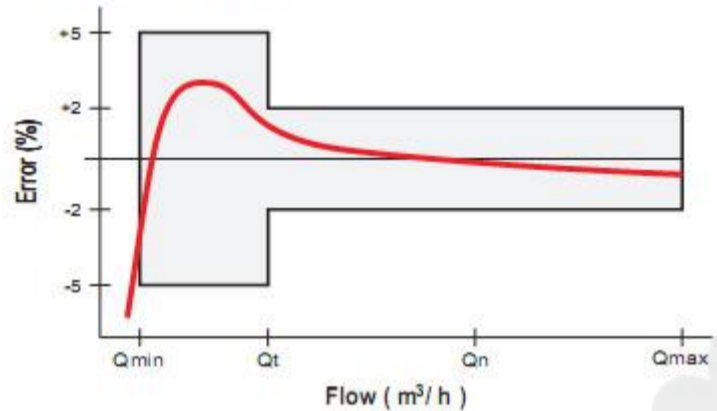
### Options

Meter equipped with reed switch is available

### Installation Requirements

- The meter can be installed in horizontal position with the register face upwards

### Accuracy Curve



### Main Technical Data

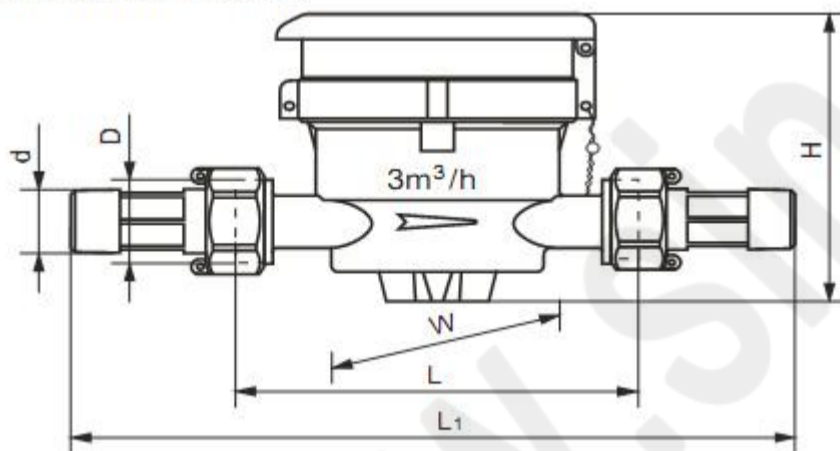
Nominal diameter	DN	13	20	25	32
Maximum flow rate	$\text{m}^3/\text{h}$ Qmax	3.0	5.0	7.0	12.0
Nominal flow rate	$\text{m}^3/\text{h}$ Qn	1.5	2.5	3.5	6.0
Transition flow rate	$\text{l}/\text{h}$ Qt	120	200	280	480
Minimum flow rate	$\text{l}/\text{h}$ Qmin	30	50	70	120
Maximum reading	$\text{m}^3$	99999.99995			
Minimum reading	$\text{m}^3$	0.00005			

### Maximum Permissible Error:

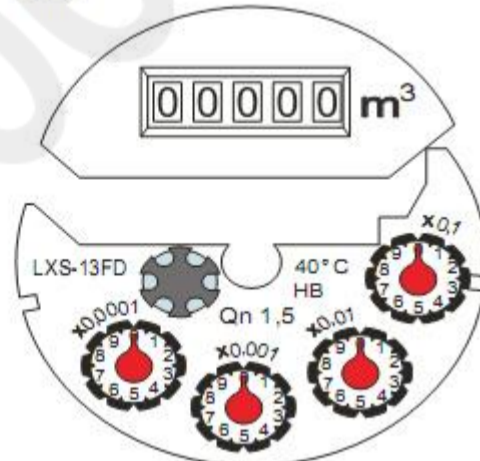
In the lower zone from Qmin inclusive up to but excluding Qt is  $\pm 5\%$

In the upper zone from Qt inclusive up to and including Qmax is  $\pm 2\%$

### Dimension Picture



### Dial



### Dimensions and Weights

Nominal diameter	DN	13	20	25	32
Body thread	D	G3/4B	G1B	G1 $\frac{1}{4}$ B	G1 $\frac{1}{2}$ B
Connector thread	d	R1/2	R3/4	R1	R1 $\frac{1}{4}$
Body length	mm	L	110/190	130	160
Overall length	mm	L1	204/284	234	280
Width	mm	W	87	87	110
Meter height	mm	H	91	91	128.5
Weight without connectors	Kg		0.8/0.95	0.97	1.2
Weight with connectors	Kg		0.98/1.13	1.25	1.72

"L1" is the total length when coupling gaskets without compression