

LXSY-15~50 Multi Liquid Sealed Vane Wheel Water Meter



Application

Measuring the volume of cold potable water passing through the pipeline

Working Conditions

Water temperature: $\leq 50\text{ }^{\circ}\text{C}$

Water pressure: $\leq 1.6\text{ MPa}$

Features

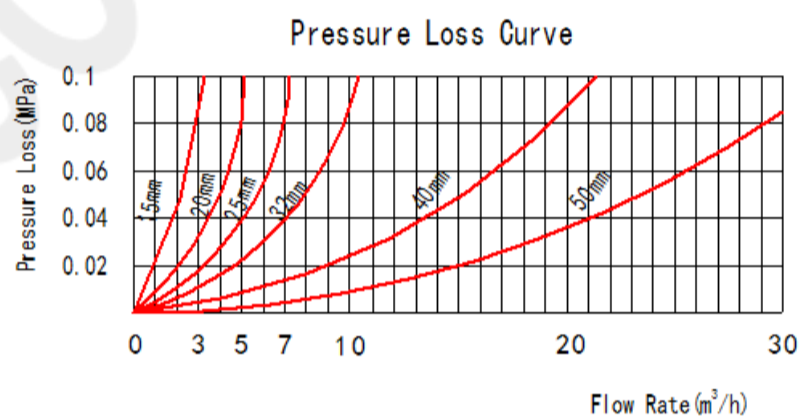
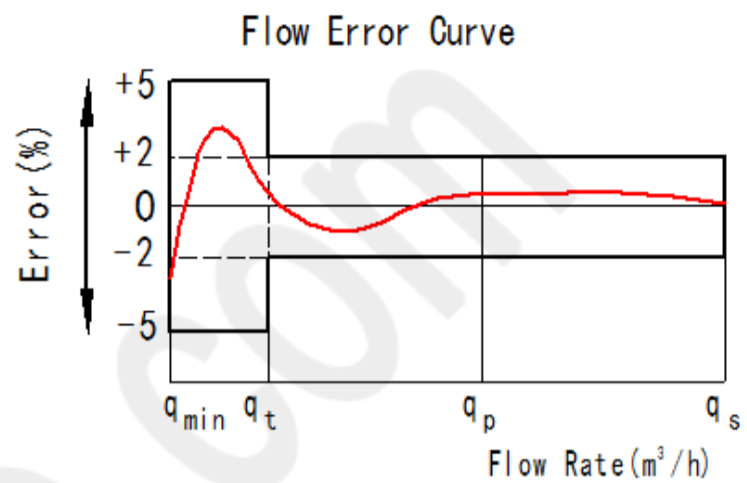
1. The register is contained in a liquid filled sealed housing which is not subject to discoloration by scale dirt or any deposit
2. Easy reading, reliable operation, without condensation problem
3. Mechanical transmission, not effected by external magnetic fields or ferrous particles in the water
4. Meter equipped with reed switch is available, can be with 1 l/pulse, 10 l/pulse or 100 l/pulse

Compliance with Standard

Class B / R80 / R100 /R160

Installation Requirements

1. The meter can be installed in horizontal position with the register face upwards
2. Pipeline must be flushed before installation
3. The meter should be constantly full of water during operation



Main Technical Data

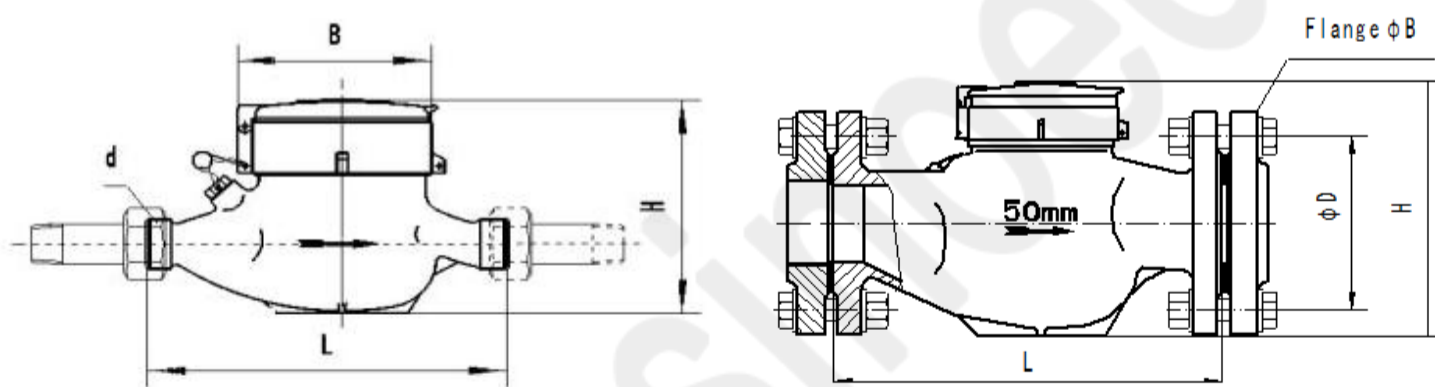
Type	Size (mm)	Class	Qs	Qp	Qt	Qmin	Minimum	Maximum
			Maximum flow	Nominal flow	Transitional flow	Minimum flow	Reading	Reading
			m ³ /h		L / h		m ³	
LXSY - 15	15	B	3	1.5	120	30	0.00005	99999/999999
LXSY - 20	20	B	5	2.5	200	50	0.00005	99999/999999
LXSY - 25	25	B	7	3.5	280	70	0.00005	99999/999999
LXSY - 32	32	B	12	6	480	120	0.00005	99999/999999
LXSY - 40	40	B	20	10	800	200	0.00005	999999
LXSY - 50	50	B	30	15	3000	450	0.00005	999999

Maximum Permissible Error:

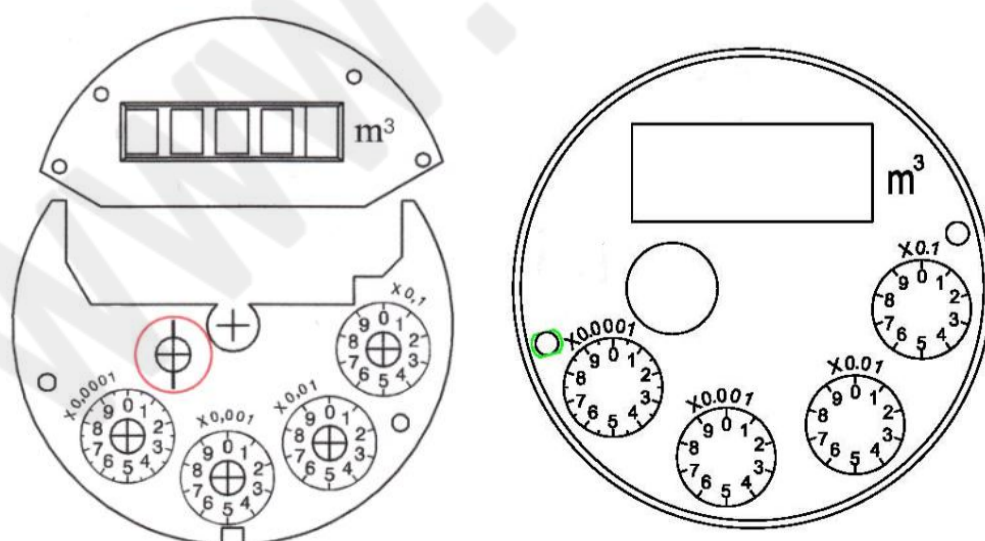
In the lower zone from Qmin inclusive up to but excluding Qt is $\pm 5\%$

In the upper zone from Qt inclusive up to and including Qs is $\pm 2\%$

Dimension



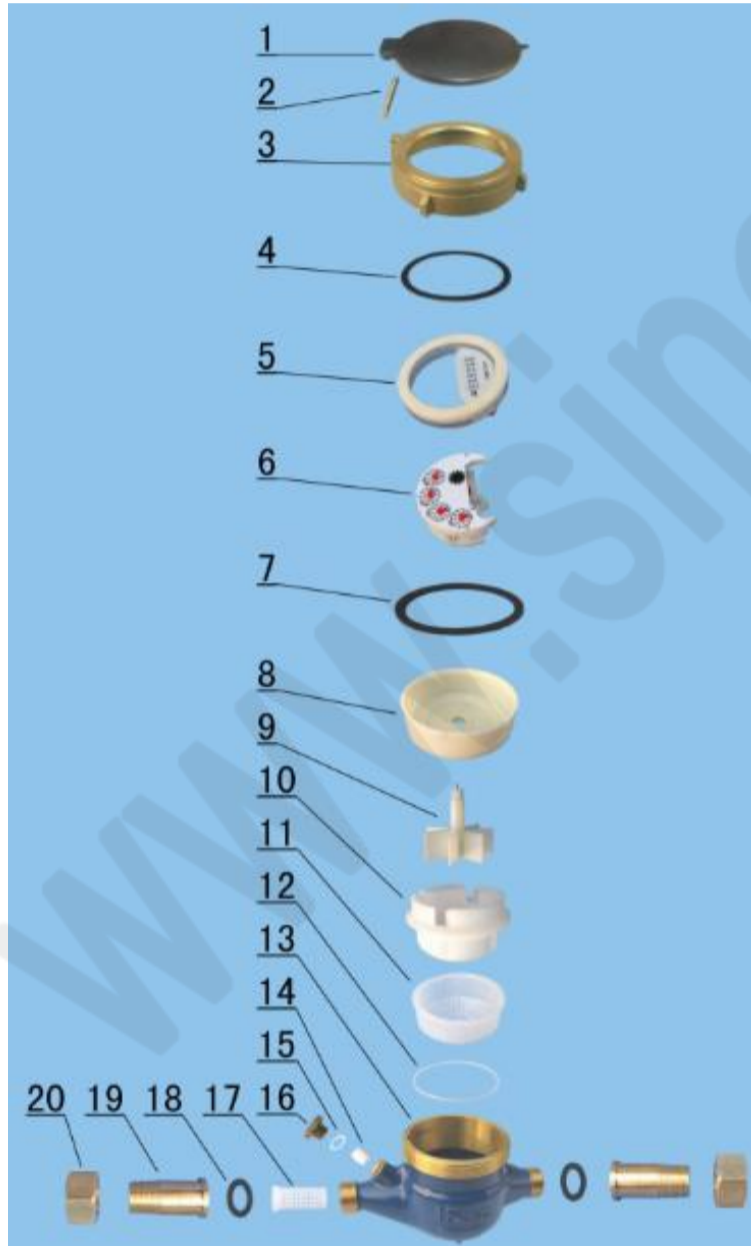
Dial



Detailed Size

Type	Size	Inch	Length	Width	Height	Connecting Thread
			L	B	H	
			mm			d (in)
LXSY - 15	15	1/2"	165	98	114.5	G 3/4B
LXSY - 20	20	3/4"	190/195	98	115.5	G1B
LXSY - 25	25	1"	225/260	103.5	120	G1 1/4B
LXSY - 32	32	1 1/4"	230/260	103.5	120	G1 1/2B
LXSY - 40	40	1 1/2"	300	125	159	G2B
LXSY - 50	50	2"	300	125	159	G2 1/2B
			280	160	185	Flange ISO 7005-2:1988 φD=125

Structure:



Code	Description	Material	QTY
1	Lid	HDPE	1
2	Hinge Pin	Brass	1
3	Cap	Brass	1
4	Sliding Gasket	PP	1
5	Capsulized Register	Assembly	1
6	Clockwork	Assembly	1
7	Gasket	Rubber	1
8	Gearing box	ABS	1
9	Turbine Component	Component	1
10	Measuring Chamber	Component	1
11	Bottom Strainer	LDPE	1
12	Gasket	Silicon Rubber	1
13	Body	Brass	1
14	Adjusting Screw	POM	1
15	Adjusting Gasket	Nylon	1
16	Adjusting Plug	Brass	1
17	Inlet Strainer	PP	1
18	Coupling Gasket	Rubber	2
19	Coupling Tail Piece	Brass	2
20	Coupling Nut	Brass	2

Photos

